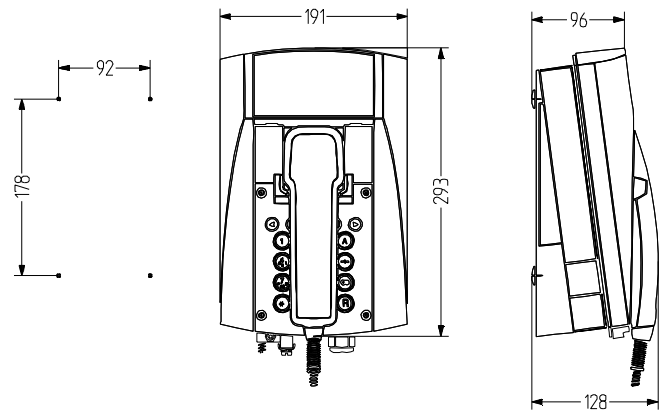


wFT3-IP weather-proof VoIP telephone

- Well-designed weather-proof VoIP telephone
- For universal applications, resistant to high humidity, maritime climates, etc.
- High degree of protection IP 65
- Impact-resistant polycarbonate housing
- Housing colours yellow, red, grey and black
- Can be used as a desk-mounted or wall-mounted telephone
- Intelligent and user-friendly menu structure
- Standard H.323, SIP, TSIP, SIPS protocols
- Power over Ethernet power supply
- Available with armoured or spiral cord as an option
- Illuminated keypad/pixel-based illuminated LCD display
- Multilingual menu navigation
- Receiver can be securely fixed with stabiliser bracket



wFT3-IP

TECHNICAL DATA

Tone ringing volume	95 dB
Connection	2× RJ45 ports 10/100 BASE-T Ethernet LAN
Echo compensation	G.168
Housing	Polycarbonate black, black/red, black/grey or black/yellow
Operating temperature	-20 °C / +60 °C
Degree of protection	IP65
Current supply	Power over Ethernet as per IEEE 802.3af
Technology	VOIP
Weight	2,3 kg
Display	128 × 64 Pixel
General	H.323 version 4 incl. H.225, H.235, H.245 and RAS gatekeeper routed signalling, H.450 Session Initiation Protocol (SIP), RTP, SRTP
RTCP	Real time control protocol – first level of 'quality of service'
DTMF	H.245 'alphanumeric' or 'single type'
VoIP features	H.245 fast connect en-bloc dialling overlapped sending
Encryption	Encrypted password authentication as per H.235
Quality of service	Prioritisation of IP packets over TOS and Diffserv, VLAN priority as per IEEE 802.1p/802.1p
Speech codes	G.711 A-law/μ-law (64 kbps), G.723.1 (5,3 kbps), G.729A (16 kbps)
Access	using web browser with HTML Password-protected with secure authentication
Connections for trouble-shooting	Log and trace files, interface status indicators and ping connection test for internet protocol sending of SNMP traps

Update	Saving and reading of configuration, boot code and firmware update by means of HTML upload and automatic update using update server
DSL Zugang	PPPoE protocol
VPN	Tunnelling with PPTP encryption with MPPE
NAT	Network address translation – for translating official IP addresses into unofficial addresses and vice versa
DHCP	Dynamic host configuration protocol – IP interface settings
ICMP	Internet control message protocol – for ping tests
Ring tone generation	Automatic generation of ring tone as per European and US standards
Call switching	Call transfer, in all common variants: with/without enquiry, before/after answering, etc.
Call forwarding	Call diversion/redirection
Hold	Call hold/retrieve
Call waiting	Call waiting, including signalling of second call information
Message	Display on telephone indicating that there is a message
Name Display	for signalling the name which is to be displayed
Conference	with 3 subscribers, including external subscribers
Telephone number identification	displays calling numbers
Multiple entries	maximum of 6 entries
Directory	local, integration or external database
Time	extremely accurate time information thanks to access to time server



ORDER DATA

Cord	Housing colour	Order number
Coiled cord	black/red	410 350 200
	black	410 350 000
	black/grey	410 350 300
	black/yellow	410 350 100
Armoured cord	black/red	410 360 200
	black	410 360 000
	black/grey	410 360 300
	black/yellow	410 360 100

ACCESSORIES

Type	Type of accessory	Order number
STB	Stabiliser bracket	410 400 900
RJ45	weather-proof LAN connector	410 410 900